

Section

Public Address

Category

EN 54-24 Loudspeakers

Code

C55/40-EN

References

Safety: Compliant to EN 60065
Emergency: EN 54-24, EN 60849
Application: Outdoor environments (Type B)
Protection Degree: IP65



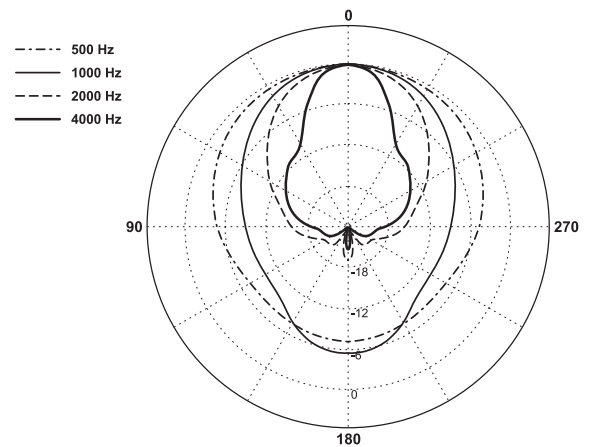
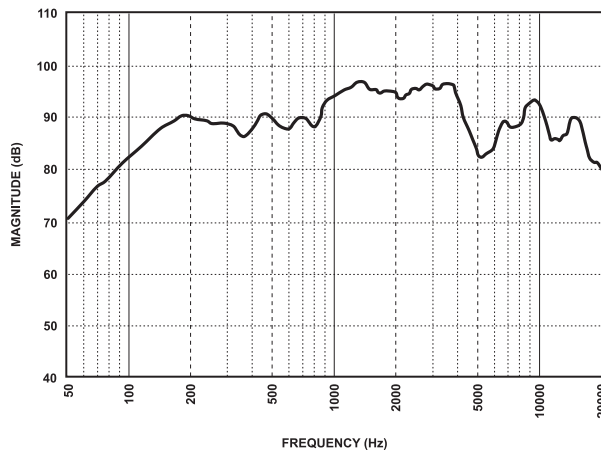
Certificate No.

0068-CPR-039/2016

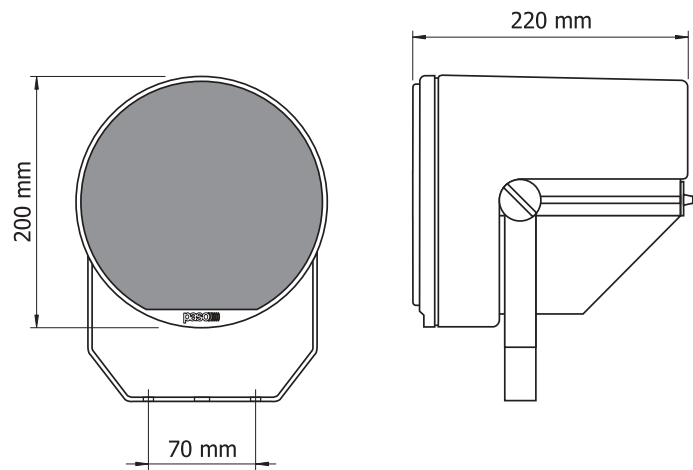
Description

Sound projectors for voice alarm systems

These sound projectors, characterised by an ABS housing and steel front grille, are fitted with fireproof cable according to UNI 9795 2010 (length 80 cm). The fixing system makes mounting easy and enables the speaker unit to be turned in the best direction. These speaker units have been developed specifically for use in emergency and evacuation systems (VES) and each has its own ceramic terminal strip and thermal fuse. These ensure the protection of the line connecting the loudspeakers if a fire puts one or more of the speaker units connected to it out of use.



Simulated free-field measurement.



Technical data

C55/40-EN



0068

PASO S.p.A Via Settembrini, 34 - 20020 Lainate (MI)

16

0068-CPR-039/2016

EN 54-24

Loudspeaker for voice alarm systems
for fire detection and fire alarm systems for buildings

C55/40-EN

Type B

Rated output	40 W (100 V)
Adjustable power	40 - 20 - 10 W
Sensitivity	88 dB (1W/1m)
Max. sound pressure (*)	104 dB (40W/1m)
Frequency response	100 ÷ 19.000 Hz
Angle of dispersion (-6 dB)	220° (500 Hz) 130° (1 kHz) 90° (2 kHz) 50° (4 kHz)
Operating/storage temperature	-25°C ÷ +55°C / -40°C ÷ 70°C
Relative humidity	< 95%
Size	Ø 200 x 220 mm
Weight	3 kg

* Measurement made at the geometric center of the loudspeaker.